

Nikon Inc., Garden City, N.Y. 11530
(516) 200-0200 TELEX 967806
Subsidiary of Ehrenreich Photo-Optical Industries, Inc. 
All specifications are subject to change without notice.

Printed in Japan 134 20M 2-78

Nikon EL-Nikkor

Enlarger Lenses



EL-Nikkor enlarger lenses are designed to handle every job with uniform illumination, full color fidelity, accurate focusing, facility in use, and compatibility with most enlarging and printing systems.

...designed to handle any job...

Each EL-Nikkor lens is designed for a specific film format and magnification range to provide maximum print sharpness and detail.

...uniform illumination...

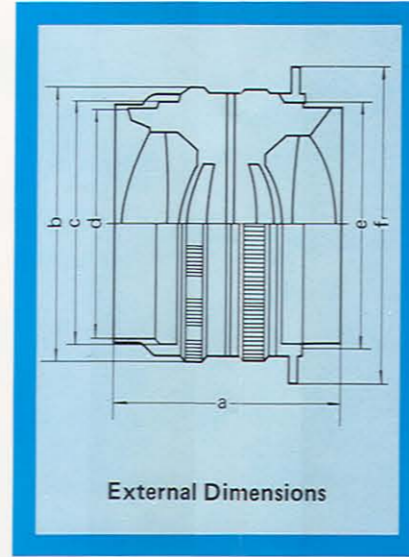
Uniform brightness over the entire image area is critical for fine results. You can depend on EL-Nikkors for even edge-to-edge exposure.

...full color fidelity...

Sophisticated optical glass combinations, also employed in critical photoengraving applications, ensure the highest performance in color rendition.

...accurate focusing...

To assure accurate focusing, EL-Nikkor lenses are corrected for the near ultraviolet range, to which most black-and-white enlarging papers are sensitive. Additionally, they do not shift focus as they are stopped down.



...facility in use...

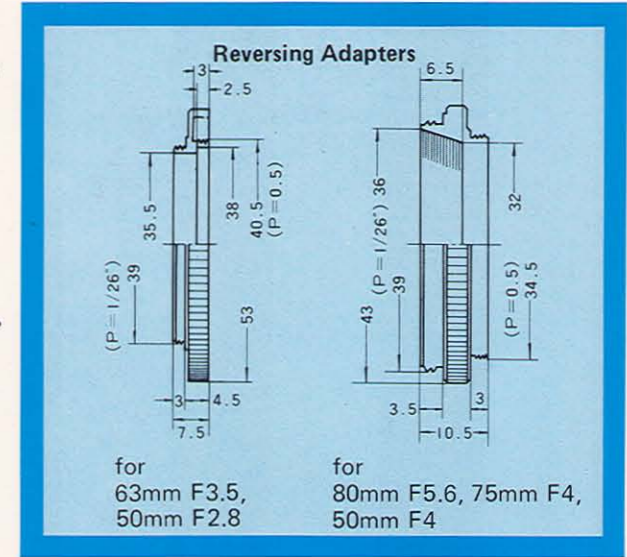
EL-Nikkor lenses from 50 to 135mm feature a large, white, easy-to-read aperture scale using click stops with equidistant spacing for accurate mid-stop positioning.

...compatibility...

The standard thread mount on most EL-Nikkors assures easy mounting and full compatibility with most enlarger and printing systems.

...attachments (reversing adapters)...

Accessory rings are available to facilitate mounting EL-Nikkors onto different types of enlargers and process cameras. For the EL-Nikkor lenses from 50 to 80mm, accessory mounting rings connect the front filter attachment thread for reverse mounting of the lens on a process camera. An additional ring is available for mounting the 210mm F5.6 onto Durst-type enlargers.



Specifications

		Focal length	Minimum f/stop	Lens construction	Standard magnification	Usable magnification range	Covering power	Correction wavelength range	Original size	Format size	Weight	Length (a)	Diameter (b)	Front mount size (dia. x pitch) (c)	Attachment size (dia. x pitch) (d)	Rear mount size (dia. x pitch) (e)	Flange diameter (f)
1	50mm F2.8	52.1mm	f/16	4 - 6	8 ×	2 × ~ 20 ×	46°	380 ~ 700m μ	43.2mm φ	24 × 36mm	100g	39.5mm	47.5mm	—	40.5mm φ × 0.5mm	39mm φ × 1/26"	—
2	50mm F4	51.6mm	f/16	3 - 4	8 ×	2 × ~ 20 ×	46°	380 ~ 700m μ	43.2mm φ	24 × 36mm	100g	28mm	44.5mm	—	34.5mm φ × 0.5mm	39mm φ × 1/26"	—
3	63mm F3.5	63mm	f/16	4 - 6	8 ×	2 × ~ 20 ×	46°	380 ~ 700m μ	55.2mm φ	32 × 45mm	130g	43.5mm	47.5mm	—	40.5mm φ × 0.5mm	39mm φ × 1/26"	—
4	75mm F4	75mm	f/45	3 - 4	5 ×	2 × ~ 10 ×	52°	380 ~ 700m μ	80mm φ	56 × 56mm	80g	32mm	44.5mm	—	34.5mm φ × 0.5mm	39mm φ × 1/26"	—
5	80mm F5.6	80mm	f/45	4 - 6	5 ×	2 × ~ 15 ×	57°	380 ~ 700m μ	100mm φ	60 × 70mm	150g	34.5mm	44.5mm	—	34.5mm φ × 0.5mm	39mm φ × 1/26" 32.5mm φ × 0.5mm	—
6	105mm F5.6	105mm	f/45	4 - 6	5 ×	2 × ~ 10 ×	56°	380 ~ 700m μ	130mm φ	65 × 90mm	220g	39.5mm	48mm	39mm φ × 1/26"	34.5mm φ × 0.5mm	39mm φ × 1/26" 32.5mm φ × 0.5mm	—
7	135mm F5.6	135mm	f/45	4 - 6	5 ×	2 × ~ 10 ×	54°	380 ~ 700m μ	160mm φ	90 × 120mm (4 × 5 in.)	260g	47.2mm	57mm	46mm φ × 0.5mm	43mm φ × 0.5mm	39mm φ × 1/26" 45mm φ × 0.5mm	—
8	150mm F5.6	150mm	f/45	4 - 6	4 ×	2 × ~ 8 ×	54°	380 ~ 700m μ	190mm φ	100 × 130mm (4 × 5 in.)	300g	55.5mm	62mm	53mm φ × 0.75mm	47mm φ × 0.5mm	53mm φ × 0.75mm	74mm
9	180mm F5.6	180mm	f/45	4 - 6	4 ×	2 × ~ 8 ×	54°	380 ~ 700m μ	230mm φ	130 × 180mm (5 × 7 in.)	430g	62.6mm	76mm	62mm φ × 1mm	58mm φ × 0.75mm	62mm φ × 1mm	88mm
10	210mm F5.6	210mm	f/45	4 - 6	4 ×	2 × ~ 8 ×	54°	380 ~ 700m μ	270mm φ	150 × 210mm (5 × 7 in.)	600g	77mm	82mm	72mm φ × 1mm	68mm φ × 0.75mm	72mm φ × 1mm	98mm
11	240mm F5.6	240mm	f/45	4 - 6	3 ×	1 × ~ 6 ×	54°	380 ~ 700m μ	330mm φ	180 × 240mm (8 × 10 in.)	910g	81.7mm	96mm	82mm φ × 1mm	77mm φ × 0.75mm	82mm φ × 1mm	108mm
12	300mm F5.6	300mm	f/45	4 - 6	2 ×	1 × ~ 4 ×	52°	380 ~ 700m μ	440mm φ	270 × 330mm (10 × 12 in.)	1550g	97mm	117mm	100mm φ × 1mm	95mm φ × 1mm	100mm φ × 1mm	131mm
13	360mm F5.6	360mm	f/45	4 - 6	2 ×	1 × ~ 4 ×	52°	380 ~ 700m μ	500mm φ	300 × 400mm (11 × 14 in.)	2700g	119mm	143mm	130mm φ × 1.5mm	120mm φ × 1mm	130mm φ × 1.5mm	165mm